

BRUSHING- AND GRINDINGMACHINE SBM-XL S2B2



Operating panel



B-aggregate



S-aggregate

LISSMAC systems for metal processing set benchmarks in innovative sheet metal processing through highly-effective, two-sided edge rounding and oxide layer removal of laser-cut workpieces using only one work process. Unlike brushing or grinding machines, SBM-XL S2B2s win over customers with more efficient processing work savings of up to 60%.

- Edge rounding and oxide removal of laser cut parts
- Two-side edge rounding and oxide removal saves the cost intensive turning of often very heavy workpieces or machining of parts twice
- Consistent edges on all outside and inside contours
- Dry operation
- Simple, intuitive operation
- The processing units can be individually adjusted or turned on and off electrically.
- Maximum productivity while maintaining machining quality
- The cross-machining principle guarantees optimum tool utilisation over the entire working width.
- Faster and simpler tool change within just a few minutes
- Modular and compact in modern machine design - smaller footprint
- Improved work environment - Reduction of dust, dirt and noise
- Optionally available: Conveyor Technology; Handling Systems, Automation; Custom Solutions
- For repeated customer requirements, processing parameters can be called up quickly and easily through predefined programs.
- Up to 60 % work time savings compared to one-side processing grinding machines



[1]

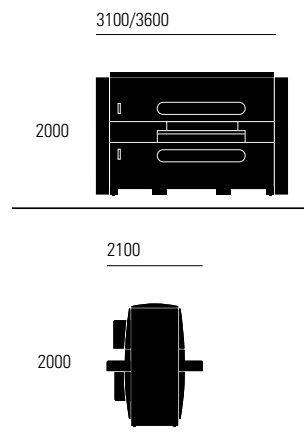


[2]

[1] XL-series

[2] Top and bottom units equipped with tools

working width max.	50-1000 / 50-1500 mm
workable material thickness	0,5-50 mm
load	300 kg/rm
voltage	400 V / 50 Hz
network structure	3~ PEN / 3~ PE+N
total power	82 A
total current consumption	44.5 kW
insulation class	IP 42
infinitely variable feed speed	0-4 m/min.
adjustment of material thickness	electric
adjustment of tools	electric
weight approx.	3800 / 4200 kg
dimensions (W/D/H) approx.	3100/2100/2000 mm 3600/2100/2000 mm



→ LISSMAC Maschinenbau GmbH
Hauptsitz
Lanzstraße 4
88410 Bad Wurzach, Deutschland
Telefon +49 75 64 307-0
Telefax +49 75 64 307-500
lissmac@lissmac.com
www.lissmac.com

Subject to technical change without notice